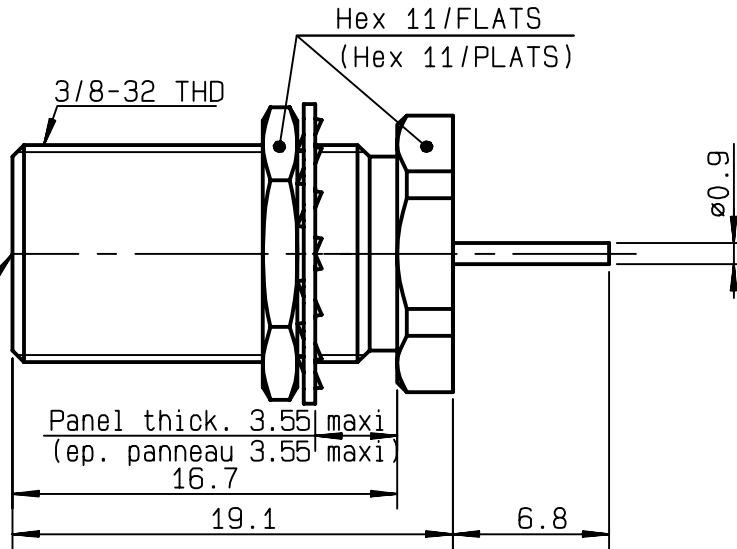


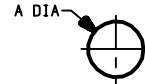
**BULKHEAD JACK RECEPTACLE**  
**REAR MOUNT - WITH CYLINDRICAL CONTACT**

**R139.553.200**  
**SERIES DT-F**

Accepts  $\varnothing 0.8$  to  $\varnothing 1.2$  maxi ctr. cond.  
(accepte broche  $\varnothing 0.8$  a  $\varnothing 1.2$  maxi)



PERCEGE PANNEAU  
MOUNTING HOLE



MM		INCH	
maxi	mini	maxi	mini
A 9.8	9.6	0.386	0.378

NOMINAL IMPEDANCE	<b>75</b> $\Omega$
FREQUENCY RANGE	<b>0-3</b> GHz
TEMPERATURE RATING	<b>-40/+80</b> °C
V.S.W.R	<b>1.02</b> + <b>.1</b> x F(GHz)Maxi
RF INSERTION LOSS	<b>0.085</b> $\sqrt{F}$ (GHz) dB Maxi
VOLTAGE RATING	<b>500</b> Veff Maxi
DIELECTRIC WITHSTANDING VOLTAGE	<b>1500</b> Veff Mini
INSULATION RESISTANCE	<b>5000</b> M $\Omega$ Mini
HERMETIC SEAL	<b>NA</b> Atm.cm <sup>3</sup> /s
LEAKAGE (pressurized only)	<b>NA</b>
MECHANICAL DURABILITY	<b>500</b> Cycles
WEIGHT	<b>5.9</b> gr
SPECIFICATION	

CABLES :

OTHERS CHARACTERISTICS

CABLE RETENTION	<b>NA</b>	N Mini
CENTER CONTACT RETENTION		
Axial force - mating end	<b>15</b>	N Mini
Axial force - opposite end	<b>15</b>	N Mini
Torque	<b>NA</b>	cm.N Mini
RECOMMENDED TORQUES		
Mating	<b>NA</b>	cm.N
Panel nut	<b>250</b>	cm.N
Clamp nut	<b>NA</b>	cm.N

CONNECTOR PARTS	MATERIALS	FINISH	(all values are given in micrometers)
BODY	BRASS	BBR 2	
OUTER CONTACT			
CENTER CONTACT	BERYLLIUM COPPER, BRASS	GOLD 0.75 OVER NICKEL 2 + SILVER 3	
INSULATOR	POLYPROPYLENE	-	
GASKET		-	
OTHERS PIECES			

ISSUE	CREATION DATE	FILE PART-NUMBER
<b>9926A00</b>	<b>17/09/1996</b>	<b>96-0106-178</b>



**RADIALL**®

*Connect to the future*

The information given here is subject to change without notice.  
Design changes may be in order to improve the product .

BAFFERT